

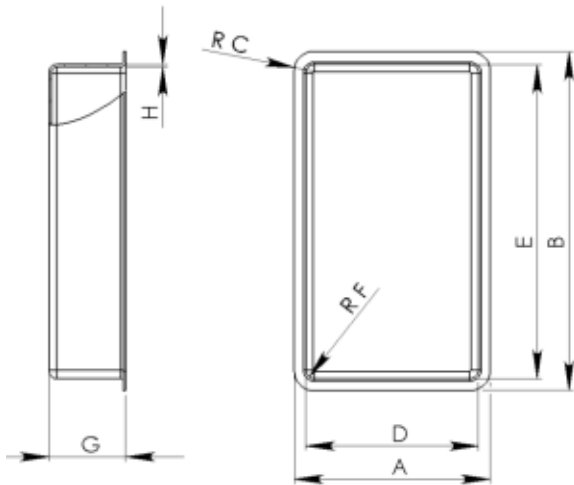


Coining Technologies
INCORPORATED

Open Tool Catalog
Drawn Metal Covers

Phone +1.973.253.0500 • Fax +1.973.253.9611 • e-mail sales@coining.com
www.coining.com

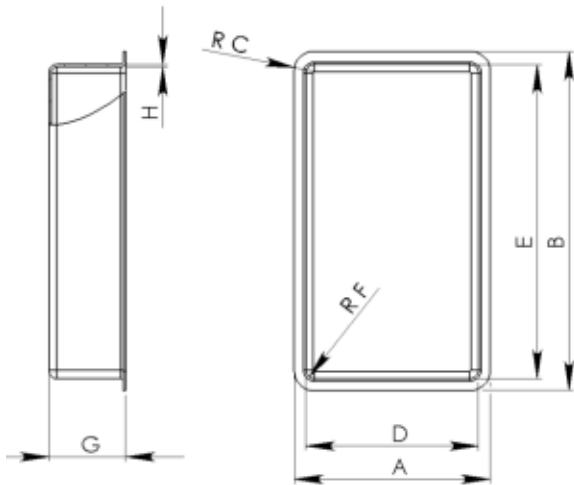
Rev. A-113007



400 Kuller Road
 Clifton, NJ 07011
 Phone: 973.253.0500
 Fax: 973.253.9611
 Web: www.coining.com
 E-mail: sales@coining.com

MC • Drawn Metal Covers

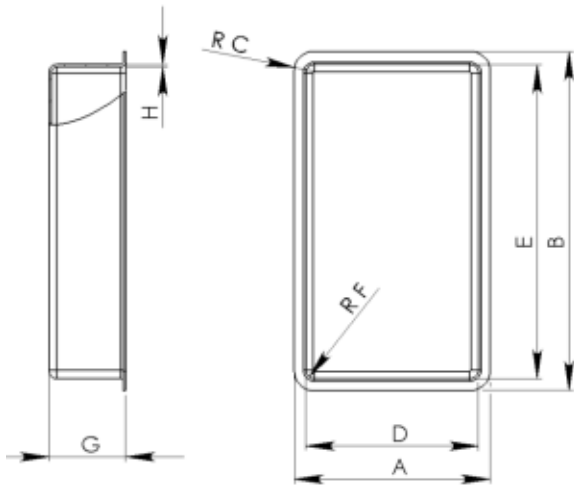
	A	B	C	D	E	F	G	H
CTI Part #	Overall Width	Overall Length	OD Radii	ID Width	ID Length	ID Radii	Overall Height	Wall Thickness
MC-017	0.218	0.490		0.202	0.474	0.025	0.243	0.008
MC-418-1	0.229	0.678		0.189	0.638	0.069	0.200	0.020
MC-722-1	0.245	0.385	0.020	0.165	0.335	0.025	0.010	.005 + .005
MC-636	0.368	0.368	0.045	0.304	0.304	0.018	0.219	0.010
MC-069	0.386	0.386	0.045	0.304	0.304	0.018	.060 to .219	0.010
MC-207	0.460	0.760	0.080	0.389	0.689	0.040	.125 to .150	0.010
MC-001	0.465	1.212	0.071	0.374	1.122	0.039	0.106	0.010
MC-565-4	0.474	0.874	0.080	0.404	0.807	0.030	0.169	0.010
MC-188-16	0.478	1.268		0.402	0.874	0.046		0.010
MC-188-8	0.478	1.268		0.402	0.874	0.046		0.010
MC-789	0.493	0.795	0.080	0.402	0.704	0.030	.100 to .340	0.010
MC-284	0.494	1.370	0.080	0.402	1.274	0.030	.169 to .300	0.010
MC-114	0.494	1.670	0.080	0.402	1.574	0.030	0.169	0.010
MC-116	0.494	1.970	0.080	0.402	1.874	0.030	0.169	0.010
MC-118	0.494	2.270	0.080	0.402	2.174	0.030	0.169	0.010
MC-120	0.494	2.570	0.080	0.402	2.474	0.030	0.169	0.010
MC-274	0.498	0.855	0.080	0.402	0.774	0.030	.125 to .220	0.010
MC-595-10	0.498	0.870	0.080	0.402	0.774	0.030	.169 to .375	0.010
MC-870	0.498	0.970	0.080	0.402	0.874	0.030	.169 to .315	0.010
MC-872	0.498	0.970	0.080	0.402	0.874	0.030	.195 to .235	0.010
MC-444	0.498	1.070	0.080	0.402	0.974	0.030	.169 to .340	0.010
MC-490-1	0.512	1.292		0.492	1.092	0.030	.100 to .200	0.010
MC-656	0.525	1.560	0.080	0.439	1.474	0.030	.150 to .300	.010C
MC-356-1	0.570	1.070	0.080	0.489	0.989	0.030	.169 (.250 MAX)	0.010
MC-490A-1	0.570	1.170	0.020	0.491	1.091	0.030	0.220	0.010
MC-514	0.570	1.405	0.032	0.500	1.335	0.020	0.075	0.010
MC-922	0.575	0.775	0.080	0.507	0.707	0.035	.155 to .160	0.012
MC-537	0.585	1.185	0.062	0.563	1.163	0.050	0.220	0.010
MC-141	0.600	1.000	0.086	0.530	0.933	0.040	0.171	0.010
MC-039-8	0.623	0.623	0.020	0.463	0.463	0.046	0.110	0.010



400 Kuller Road
 Clifton, NJ 07011
 Phone: 973.253.0500
 Fax: 973.253.9611
 Web: www.coining.com
 E-mail: sales@coining.com

MC • Drawn Metal Covers

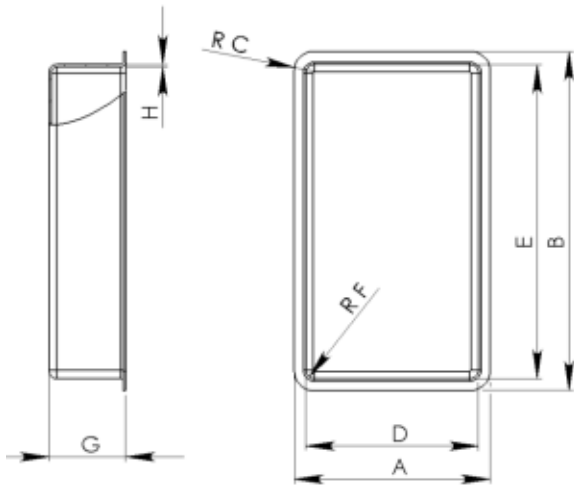
	A	B	C	D	E	F	G	H
CTI Part #	Overall Width	Overall Length	OD Radii	ID Width	ID Length	ID Radii	Overall Height	Wall Thickness
MC-929-5	0.653	1.472	VARIABLES	0.327	0.850	0.050	0.059	0.006
MC-328-19	0.664	1.064		0.644	1.044	0.098	0.180	0.010
MC-328-22	0.664	1.064		0.644	1.044	0.098	0.190	0.010
MC-666	0.674	1.149	0.080	0.579	1.054	0.030	.170 to .370	0.010
MC-929-2	0.678	1.477	VARIABLES	0.327	0.850	0.050	0.059	0.006
MC-194	0.704	1.204		0.684	1.184		0.160	0.010
MC-130	0.720	0.720		0.700	0.700	0.054	0.225	0.010
MC-328-1	0.739	1.139	0.155	0.644	1.044	0.098	0.190	0.010
MC-328-32	0.739	1.139	0.155	0.644	1.044	0.098	0.180	0.010
MC-328-13A	0.740	1.140	0.155	0.644	1.044	0.098	0.190	0.010
MC-328-18	0.740	1.140	0.155	0.644	1.044	0.098	0.190	0.010
MC-328-18	0.740	1.140	0.155	0.644	1.044	0.098	0.190	0.010
MC-328-20	0.740	1.140	0.155	0.644	1.044	0.098	0.158	0.010
MC-328-21D	0.740	1.140	0.155	0.644	1.044	0.098	0.200	0.010
MC-328-27	0.740	1.140	0.155	0.644	1.044	0.098	0.158	0.010
MC-328-35	0.740	1.140	0.155	0.644	1.044	0.098	0.158	0.010
MC-417	0.740	2.940	0.080	0.645	2.845	0.025	.169 (.375 MAX)	0.010
MC-932	0.750	1.270	0.056	0.714	1.214	0.046	0.150	0.010
MC-303	0.765	1.265	0.080	0.684	1.184	0.025	.169 to .314	0.010
MC-409	0.766	1.691	0.040	0.726	1.651	0.020	0.418	0.020
MC-841-1	0.766	1.691	0.040	0.726	1.651	0.020	0.408	0.020
MC-129	0.770	0.770	0.046	0.689	0.689	0.030	.130 to .375	0.010
MC-320	0.770	0.770	0.046	0.689	0.689	0.040	.130 to .183	0.010
MC-243-1	0.775	0.975	0.046	0.695	0.895	0.040	.140 to .285	0.010
MC-343	0.776	1.316	0.015	0.684	1.244	0.030	.185 to .225	0.010
MC-904	0.794	0.969	0.080	0.699	0.874	0.030	.169 to .528	0.010
MC-943	0.794	1.369	0.080	0.699	1.274	0.025	.169 to .370	0.010
MC-958	0.795	0.950	0.080	0.699	0.854	0.025	.169 to .276	0.010
MC-382	0.795	1.295	0.046	0.692	1.192	0.030	.190 to .220	0.015
MC-230	0.795	1.570	0.080	0.699	1.474	0.020	0.169	0.010



400 Kuller Road
 Clifton, NJ 07011
 Phone: 973.253.0500
 Fax: 973.253.9611
 Web: www.coining.com
 E-mail: sales@coining.com

MC • Drawn Metal Covers

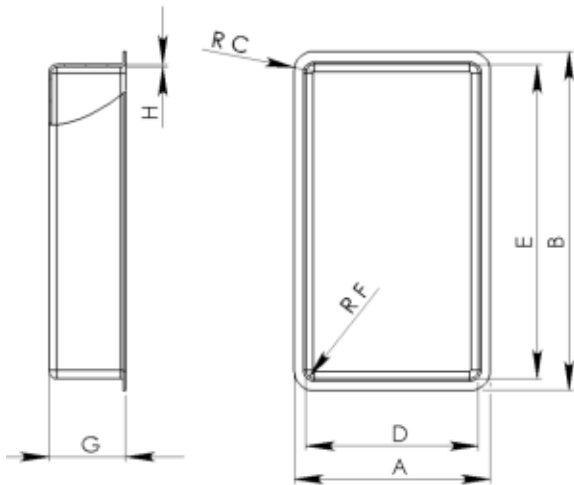
	A	B	C	D	E	F	G	H
CTI Part #	Overall Width	Overall Length	OD Radii	ID Width	ID Length	ID Radii	Overall Height	Wall Thickness
MC-518	0.796	1.001	0.080	0.724	0.930	0.025	0.175	0.010
MC-183-1	0.822	1.131	0.079	0.724	1.033	0.027	0.513	0.010
MC-183-2	0.822	1.131	0.079	0.724	1.033	0.027	0.169	0.010
MC-522	0.854	1.514	0.027	0.654	1.314	0.040	0.125	0.015
MC-553	0.900	0.900	0.087	0.804	0.804	0.039	0.430	0.008
MC-556	0.900	0.900	0.087	0.804	0.804	0.039	.205 to .375	0.010
MC-128	0.920	0.920		0.900	0.900	0.054	0.225	0.010
MC-591-1	0.922	1.222		0.892	1.192	0.030	0.190	0.015
MC-589-1	0.922	1.922	0.045	0.892	1.892	0.030	.154 to .175	0.015
MC-127	0.930	1.430		0.900	1.400	0.046	0.225	0.015
MC-188-12	0.970	1.270		0.910	1.210	0.046		0.010
MC-188-19	0.970	1.270		0.910	1.210	0.046		0.010
MC-745	0.990	1.990	0.080	0.904	1.904	0.025	0.169	0.010
MC-384	0.995	1.495	0.096	0.892	1.392	0.030	.190 to .220	0.015
MC-405	0.996	0.996	0.079	0.900	0.900	0.028	.169 to .480	0.010
MC-039-3	0.996	2.296	0.020	0.826	2.126	0.046	0.170	0.015
MC-039-1	0.998	0.998	0.076	0.828	0.828	0.046	0.110	0.015
MC-039-10	0.998	1.248	0.020	0.828	1.078	0.046	0.117	0.015
MC-108-01A	0.188	0.188	N/A	0.168	0.168	N/A	0.150	0.010
MC-963-01A	0.196	0.196		0.177	0.177		0.027	0.009
MC-482-2NS	0.274	0.483	0.045	0.243	0.451	0.020	0.035	N/A
MC-483-1NS	0.274	0.483	0.045	0.243	0.451	0.020	0.033	N/A
MC-483-3NS	0.274	0.483	0.045	0.243	0.451	0.020	0.035	N/A
MC-300-01C	0.300	1.100	0.150	0.200	1.000	0.100	0.285	0.010
MC-012-01C	0.327	0.606	0.083	0.264	0.543	0.049	0.098	0.010
MC-994-06A	0.422	0.794		0.402	0.774	0.030	0.200	0.010
MC-207-03B	0.460	0.750	0.078	0.389	0.689	0.040	0.125	0.010
MC-201-01C	0.460	0.760	0.080	0.389	0.689	0.040	0.150	0.010
MC-207-01C	0.460	0.760	0.080	0.389	0.689	0.040	0.150	0.010
MC-001-01C	0.465	1.212	0.071	0.374	1.122	0.039	0.106	0.010



400 Kuller Road
Clifton, NJ 07011
Phone: 973.253.0500
Fax: 973.253.9611
Web: www.coining.com
E-mail: sales@coining.com

MC • Drawn Metal Covers

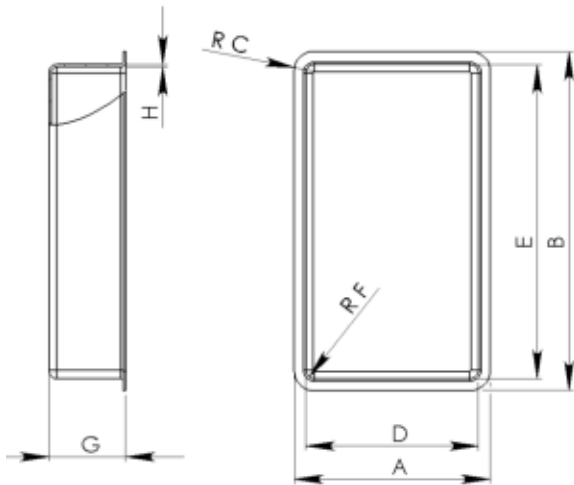
	A	B	C	D	E	F	G	H
CTI Part #	Overall Width	Overall Length	OD Radii	ID Width	ID Length	ID Radii	Overall Height	Wall Thickness
MC-789-15C	0.492	0.793	0.080	0.401	0.702	0.030	0.315	0.010
MC-789-07B	0.492	0.795	0.080	0.402	0.704	0.030	0.295	0.010
MC-789-07B	0.492	0.795	0.080	0.402	0.704	0.030	0.295	0.010
MC-789-02D	0.493	0.795	0.080	0.402	0.704	0.030	0.238	0.010
MC-789-02DX	0.493	0.795	0.080	0.402	0.704	0.030	0.238	0.010
MC-789-04B	0.493	0.795	0.080	0.402	0.704	0.030	0.175	0.010
MC-284-04B	0.493	0.493	0.078	0.403	1.274	0.030	0.177	0.010
MC-789-12B	0.494	0.494	0.080	0.404	0.705	0.030	0.099	0.010
MC-789-06BX	0.494	0.494	0.080	0.403	0.704	0.030	0.100	0.005
MC-789-20D	0.494	0.494	0.080	0.406	0.705	0.035	0.310	0.008
MC-284-01D	0.494	0.494	0.080	0.402	1.274	0.035	0.169	0.010
MC-284-04D	0.494	0.494	0.080	0.402	1.274	0.030	0.100	0.010
MC-284-04E	0.494	0.494	0.080	0.402	1.274	0.036	0.178	0.010
MC-284-08C	0.494	0.494	0.080	0.402	1.274	0.030	0.178	0.010
MC-284-09B	0.494	0.494	0.080	0.402	1.274	0.030	0.190	0.010
MC-114-01D	0.494	0.494	0.080	0.402	1.574	0.030	0.169	0.010
MC-116-01B	0.494	0.494	0.080	0.402	1.874	0.035	0.169	0.010
MC-116-01C	0.494	0.494	0.080	0.402	1.878	0.035	0.169	0.010
MC-116-01D	0.494	0.494	0.080	0.402	1.874	0.030	0.169	0.010
MC-405-02E	0.494	0.494	0.079	0.401	1.874	0.035	0.169	0.010
MC-118-01C	0.494	0.494	0.080	0.402	2.173	0.030	0.120	0.010
MC-118-02D	0.494	0.494	0.080	0.402	2.174	0.030	0.169	0.010
MC-120-01D	0.494	0.494	0.080	0.402	2.474	0.030	0.169	0.010
MC-120-02A	0.494	0.494	0.048	0.401	2.474	0.030	0.128	0.010
MC-789-01B	0.495	0.495	0.080	0.402	0.704	0.035	0.250	0.010
MC-789-01BX	0.495	0.495	0.080	0.402	0.704	0.035	0.169	0.010
MC-789-06B	0.495	0.495	0.080	0.403	0.704	0.030	0.200	0.015
MC-789-08C	0.495	0.495	0.080	0.403	0.704	0.030	0.300	0.010
MC-789-11C	0.495	0.495	0.080	0.402	0.704	0.035	0.209	0.010
MC-789-18C	0.495	0.495	0.080	0.402	0.704	0.035	0.250	0.010



400 Kuller Road
 Clifton, NJ 07011
 Phone: 973.253.0500
 Fax: 973.253.9611
 Web: www.coining.com
 E-mail: sales@coining.com

MC • Drawn Metal Covers

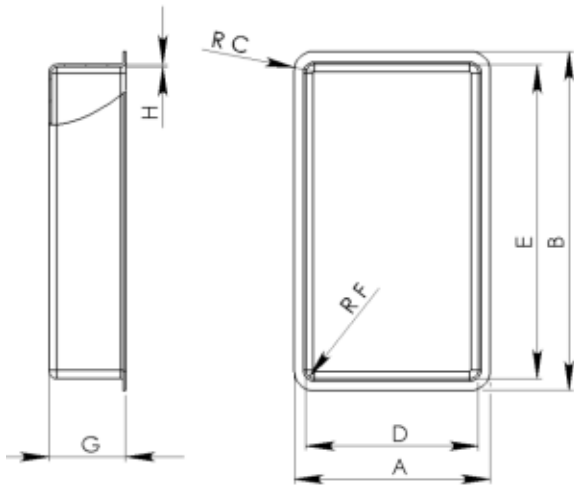
	A	B	C	D	E	F	G	H
CTI Part #	Overall Width	Overall Length	OD Radii	ID Width	ID Length	ID Radii	Overall Height	Wall Thickness
MC-789-16C	0.497	0.497	0.080	0.402	0.703	0.030	0.270	0.010
MC-789-16CX	0.497	0.497	0.080	0.402	0.703	0.030	0.270	0.010
MC-870-05B	0.497	0.497	0.080	0.421	0.894	0.035	0.275	0.010
MC-789-09C	0.498	0.498	0.080	0.403	0.705	0.031	0.209	0.010
MC-789-10C	0.498	0.498	0.080	0.403	0.705	0.031	0.209	0.010
MC-789-21D	0.498	0.498	0.080	0.402	0.703	0.030	0.340	0.010
MC-798-21D	0.498	0.498	0.080	0.402	0.703	0.030	0.340	0.010
MC-274-01C	0.498	0.498	0.080	0.402	0.774	0.030	0.220	0.010
MC-595-100	0.498	0.498	0.079	0.419	0.632	0.025	0.168	0.010
MC-994	0.498	0.498	0.080	0.402	0.774	0.030	0.169 to 0.375	0.010
MC-994-01A	0.498	0.498	0.080	0.402	0.774	0.030	0.169	0.010
MC-994-01C	0.498	0.498	0.080	0.402	0.774	0.030	0.169	0.010
MC-994-01C	0.498	0.498	0.080	0.402	0.774	0.030	0.169	0.010
MC-994-04C	0.498	0.498	0.080	0.402	0.774	0.030	0.169 TO 0.375	0.010
MC-870-01B	0.498	0.498	0.080	0.402	0.874	0.030	0.169	0.010
MC-870-01C	0.498	0.498	0.080	0.401	0.874	0.035	0.169	0.009
MC-870-01C	0.498	0.498	0.080	0.401	0.874	0.035	0.169	0.009
MC-870-04C	0.498	0.498	0.080	0.402	0.874	0.030	0.380	0.007/0.010
MC-870-06C	0.498	0.498	0.080	0.402	0.874	0.030	0.224	0.010
MC-870-07D	0.498	0.498	0.080	0.402	0.874	0.030	0.235	0.010
MC-870-08D	0.498	0.498	0.080	0.401	0.874	0.035	0.240	0.009
MC-872-01C	0.498	0.498	0.080	0.402	0.874	0.030	0.235	0.010
MC-872-01E	0.498	0.498	0.080	0.402	0.874	0.030	0.235	0.010
MC-444-01C	0.498	0.498	0.080	0.402	0.974	0.035	0.169	0.010
MC-444-01G	0.498	0.498	0.080	0.402	0.974	0.035	0.169	0.010
MC-444-03C	0.498	0.498	0.080	0.402	0.974	0.030	0.256	0.010
MC-444-08D	0.498	0.498	0.080	0.402	0.974	0.030	0.162	0.010
MC-284-04C	0.498	0.498	N/A	0.000	0.000	N/A	0.197	0.015
MC-542-01A	0.545	round	N/A	0.484	round	N/A	0.169	0.012/0.009
MC-490-03C	0.570	1.170	0.080	0.492	1.092	0.030	0.210	0.010



400 Kuller Road
Clifton, NJ 07011
Phone: 973.253.0500
Fax: 973.253.9611
Web: www.coining.com
E-mail: sales@coining.com

MC • Drawn Metal Covers

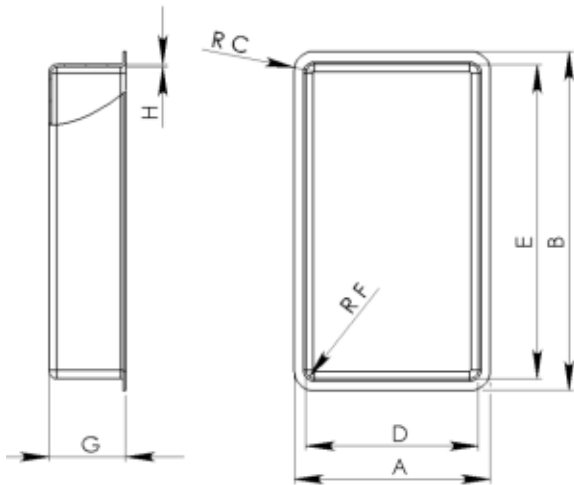
CTI Part #	A	B	C	D	E	F	G	H
Overall Width	Overall Length	OD Radii	ID Width	ID Length	ID Radii	Overall Height	Wall Thickness	
MC-490-05C	0.570	1.170	0.019	0.491	1.090	0.030	0.063	0.010
MC-490-13A	0.570	1.170	0.080	0.492	1.092	0.030	0.210	0.010
MC-490-06B	0.573	1.173	0.022	0.494	1.094	0.030	0.219	0.010
MC-490-06C	0.573	1.173	0.022	0.494	1.094	0.030	0.219	0.010
MC-922-01A	0.575	0.775	0.080	0.507	0.707	0.035	0.160	0.012
MC-922-01A	0.575	0.775	0.080	0.507	0.707	0.050	0.160	0.012
MC-922-01C	0.575	0.775	0.080	0.507	0.707	0.035	0.148	0.012
MC-922-02B	0.575	0.775	0.080	0.507	0.707	0.035	0.155	0.012
MC-425-02N	0.580	0.580		0.478	round		0.040	0.010
MC-537-01A	0.585	1.185	0.062	0.450	0.875	0.050	0.220	0.010
MC-141-01B	0.600	1.000	0.086	0.529	0.933	0.040	0.171	0.010
MC-994-03C	0.678	0.878		0.000	0.000			0.010
MC-009-01C	0.698	1.498	0.080	0.620	1.420	0.030	0.575	0.008
MC-243-05A	0.715	0.915	0.050	0.695	0.895	0.040	0.285	0.010
MC-130-02C	0.720	0.720	0.039	0.700	0.700	0.028	0.157	0.010
MC-130-01A	0.720	0.720	0.075	0.700	0.700	0.046	0.225	0.010
MC-116-01DX	0.740	2.940	0.080	0.645	2.845	0.035	0.169	0.010
MC-417-01D	0.740	2.940	0.080	0.645	2.845	0.035	0.169	0.009
MC-417-01DX	0.740	2.940	0.080	0.645	2.845	0.035	0.169	0.010
MC-303-01C	0.765	1.265	0.080	0.684	1.184	0.025	0.314	0.010
MC-303-01CX	0.765	1.265	0.080	0.684	1.184	0.025	0.315	0.010
MC-303-01E	0.765	1.265	0.080	0.684	1.184	0.025	0.159	0.010
MC-303-05A	0.765	1.265	0.080	0.684	1.184	0.025	0.240	0.010
MC-303-08C	0.765	1.265	0.080	0.684	1.184	0.025	0.250	0.010
MC-129-15D	0.770	0.770	0.046	0.689	0.689	0.030	0.350	0.010
MC-129-01D	0.770	0.770	0.040	0.689	0.689	0.030	0.200	0.010
MC-129-05C	0.770	0.770	0.046	0.689	0.689	0.030	0.169	0.010
MC-129-05CX	0.770	0.770	0.046	0.689	0.689	0.030	0.169	0.010
MC-129-05C	0.770	0.770	0.046	0.689	0.689	0.040	0.169	0.008
MC-129-09C	0.770	0.770	0.046	0.689	0.689	0.040	0.180	0.010



400 Kuller Road
 Clifton, NJ 07011
 Phone: 973.253.0500
 Fax: 973.253.9611
 Web: www.coining.com
 E-mail: sales@coining.com

MC • Drawn Metal Covers

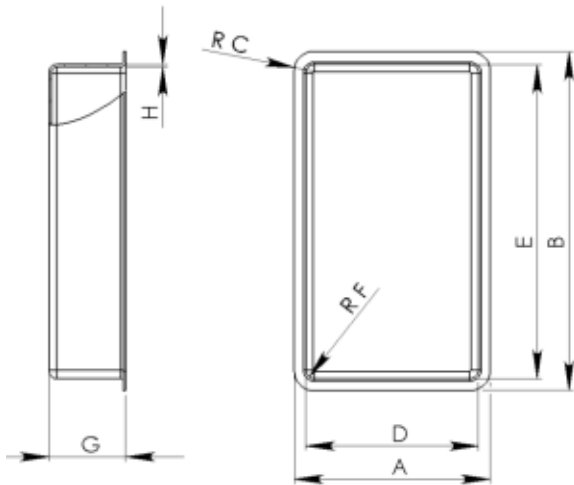
CTI Part #	A	B	C	D	E	F	G	H
	Overall Width	Overall Length	OD Radii	ID Width	ID Length	ID Radii	Overall Height	Wall Thickness
MC-129-10C	0.770	0.770	0.046	0.689	0.689	0.040	0.375	0.010
MC-129-10D	0.770	0.770	0.046	0.689	0.689	0.030	0.375	0.010
MC-129-16B	0.770	0.770	0.046	0.689	0.689	0.040		0.010
MC-129-01B	0.775	0.775	0.046	0.689	0.689	0.030	0.169	0.010
MC-129-01D	0.775	0.775	0.046	0.689	0.689	0.030	0.200	0.010
MC-129-07C	0.775	0.775	0.046	0.691	0.691	0.046	0.178	0.010
MC-129-12C	0.775	0.775	0.046	0.689	0.689	0.030	0.370	0.010
MC-129-14A	0.775	0.775	0.046	0.709	0.709	0.030	0.400	N/A
MC-243-06A	0.775	0.975	0.046	0.695	0.895	0.040	0.190	0.010
MC-243-08D	0.775	0.975	0.046	0.695	0.895	0.040	0.205	0.010
MC-343-02D	0.776	1.316	0.015	0.884	1.224	0.030	0.225	0.010
MC-943-13D	0.785	0.970	0.080	0.699	0.874		0.257	0.010
MC-943-13D	0.785	0.970	0.080	0.699	0.874		0.257	0.010
MC-003-01B	0.791	0.865		0.702	0.778	0.029	0.240	0.010
MC-003-01C	0.791	0.865		0.700	0.776	0.029	0.240	0.010
MC-003-01D	0.791	0.865		0.700	0.776	0.029	0.240	0.010
MC-775-01C	0.794	0.794	0.080	0.725	0.725	0.040	0.362	0.010
MC-789-20B	0.794	0.794	0.080	0.725	0.725	0.040	0.362	0.010
MC-795-01D	0.794	0.794	0.078	0.725	0.725	0.040	0.362	0.010
MC-795-02B	0.794	0.794	0.083	0.725	0.725	0.040	0.397	0.060
MC-795-04B	0.794	0.794	0.079	0.725	0.725	0.040	0.169	0.010
MC-904-01C	0.794	0.969	0.080	0.699	0.874	0.025	0.255	0.010
MC-904-02C	0.794	0.969	0.080	0.699	0.874	0.025	0.370	0.010
MC-904-04C	0.794	0.969	0.080	0.699	0.874	0.025	0.350	0.010
MC-904-13C	0.794	0.969	0.080	0.698	0.873	0.030	0.510	0.010
MC-904-14C	0.794	0.969	0.080	0.698	0.873	0.030	0.510	0.010
MC-943-01C	0.794	1.369	0.080	0.699	1.274	0.025	0.159	0.010
MC-943-01C	0.794	1.369	0.080	0.699	1.274	0.025	0.240	0.010
MC-943-02C	0.794	1.369	0.080	0.699	1.274	0.035	0.370	0.020
MC-943-02D	0.794	1.369	0.080	0.699	1.274	0.025	0.370	0.010



400 Kuller Road
 Clifton, NJ 07011
 Phone: 973.253.0500
 Fax: 973.253.9611
 Web: www.coining.com
 E-mail: sales@coining.com

MC • Drawn Metal Covers

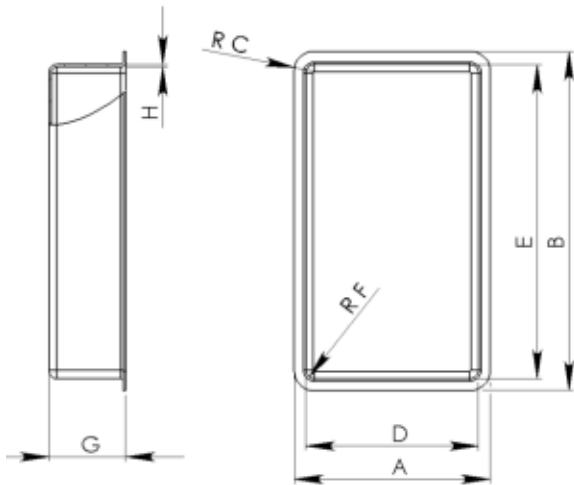
	A	B	C	D	E	F	G	H
CTI Part #	Overall Width	Overall Length	OD Radii	ID Width	ID Length	ID Radii	Overall Height	Wall Thickness
MC-943-02E	0.794	1.369	0.080	0.699	1.274	0.025	0.370	0.010
MC-943-11B	0.794	1.369	0.080	0.699	1.274	0.025	0.190	0.010
MC-943-13D	0.794	1.369	0.080	0.699	1.274	0.025	0.360	0.010
MC-795-11C	0.795	0.795	0.080	0.720	0.720	0.035	0.407	0.010
MC-958-04A	0.795	0.950	0.080	0.699	0.855	0.025	0.250/0.300	0.010
MC-904-01C	0.795	0.970	0.080	0.700	0.875	0.025	0.167/0.171	0.010
MC-904-02B	0.795	0.970	0.080	0.699	0.874	0.025	0.350	0.010
MC-904-03C	0.795	0.970	0.080	0.699	0.874	0.025	0.255	0.010
MC-904-03C	0.795	0.970	0.080	0.699	0.874	0.025	0.255	0.010
MC-904-03D	0.795	0.970	0.080	0.699	0.874	0.035	0.255	0.010
MC-904-04B	0.795	0.970	0.080	0.699	0.874	0.025	0.350	0.010
MC-904-04C	0.795	0.970	0.080	0.699	0.874	0.030	0.350	0.012
MC-904-04C	0.795	0.970	0.080	0.699	0.874	0.025	0.350	0.010
MC-904-05B	0.795	0.970	0.080	0.699	0.874	0.028	0.242	0.010
MC-904-06C	0.795	0.970	0.080	0.699	0.874	0.030	0.235	0.010
MC-904-08A	0.795	0.970	0.080	0.699	0.874	0.035	0.315	0.010
MC-904-08B	0.795	0.970	0.080	0.699	0.874	0.028	0.315	0.010
MC-904-08C	0.795	0.970	0.080	0.699	0.874	0.025	0.315	0.010
MC-904-08C	0.795	0.970	0.080	0.699	0.874	0.025		0.010
MC-904-09C	0.795	0.970	0.080	0.699	0.874	0.020	0.242	0.010
MC-904-09C	0.795	0.970	0.080	0.699	0.874	0.028	0.242	0.010
MC-904-10C	0.795	0.970	0.080	0.699	0.874	0.025	0.180	0.010
MC-904-11B	0.795	0.970	0.080	0.699	0.874	0.025		0.010
MC-904-11BX	0.795	0.970	0.080	0.274	0.599	0.030	0.187	0.010
MC-904-16B	0.795	0.970	0.080	0.699	0.875	0.025	0.242	0.010
MC-904-18A	0.795	0.970	0.080	0.699	0.874	0.035	0.242	0.010
MC-904-18B	0.795	0.970	0.080	0.699	0.874	0.025	0.169	0.010
MC-904-19C	0.795	0.970	0.080	0.699	0.874	0.025	0.417	0.009
MC-904-27C	0.795	0.970	0.080	0.699	0.874	0.025	0.180	0.010
MC-904-29C	0.795	0.970	0.080	0.699	0.874	0.030	0.250	



400 Kuller Road
Clifton, NJ 07011
Phone: 973.253.0500
Fax: 973.253.9611
Web: www.coining.com
E-mail: sales@coining.com

MC • Drawn Metal Covers

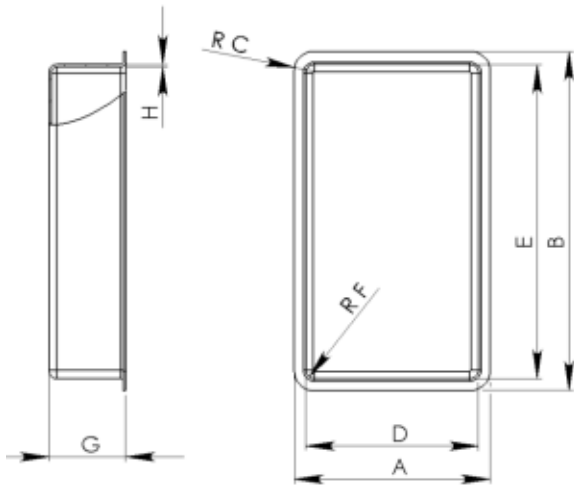
	A	B	C	D	E	F	G	H
CTI Part #	Overall Width	Overall Length	OD Radii	ID Width	ID Length	ID Radii	Overall Height	Wall Thickness
MC-578-01C	0.795	1.000	0.079	0.722	0.925	0.024	0.175	0.010
MC-518-02C	0.795	1.000	0.080	0.702	0.905	0.035	0.169	0.010
MC-943-01A	0.795	1.370	0.080	0.695	1.271	0.030	0.055	0.010
MC-943-01B	0.795	1.370	0.080	0.699	1.274	0.028	0.220	0.010
MC-943-01C	0.795	1.370	0.080	0.699	1.274	0.025	0.169	0.010
MC-943-02C	0.795	1.370	0.085	0.699	1.274	0.030	0.370	0.010
MC-943-02C	0.795	1.370	0.080	0.699	1.274	0.030	0.370	0.010
MC-943-04A	0.795	1.370	0.080	0.699	1.274	0.028	0.220	0.010
MC-943-04C	0.795	1.370	0.080	0.699	1.274	0.030	0.370	0.010
MC-943-05B	0.795	1.370	0.080	0.699	1.274	0.028	0.255	0.010
MC-943-05C	0.795	1.370	0.080	0.699	1.274	0.030	0.325	0.010
MC-943-05C	0.795	1.370	0.085	0.714	1.289	0.079	0.315	0.007
MC-943-05C	0.795	1.370	0.080	0.699	1.274	0.025	0.315	0.009
MC-943-05D	0.795	1.370	0.080	0.699	1.274	0.025	0.315	0.010
MC-943-05D	0.795	1.370	0.080	0.699	1.274	0.025	0.315	0.010
MC-943-05E	0.795	1.370	0.080	0.699	1.274	0.025	0.315	0.010
MC-943-07C	0.795	1.370	0.080	0.700	1.275	0.025	0.210	0.010
MC-943-12B	0.795	1.370	0.080	0.699	1.274	0.025	0.180	0.011
MC-943-14C	0.795	1.370	0.080	0.699	1.274	0.030	0.350	0.011
MC-943-18C	0.795	1.370	0.080	0.699	1.274	0.025	0.420	0.010
MC-943-19C	0.795	1.370	0.080	0.699	1.274	0.030	0.350	0.011
MC-943-22O	0.795	1.370	0.079	0.699	1.274	0.025	0.168	
MC-944-01C	0.795	1.370	0.080	0.699	1.274	0.020	0.370	
MC-944-04C	0.795	1.370	0.080	0.699	1.274	0.020	0.249	
MC-795-11D	0.795	0.795	0.079	0.722	0.722	0.035	0.407	0.010
MC-795-01D	0.797	0.797	0.083	0.727	round	0.040	0.362	0.035
MC-943-11E	0.798	1.373	0.087	0.703	1.278	0.030	0.204	0.047
MC-183-06C	0.822	1.131	0.079	0.724	1.033	0.028	0.315	0.010
MC-183-06C	0.822	1.131	0.078	0.720	1.033	0.020	0.315	0.098
MC-175-01A	0.870	1.146		0.799	1.071		0.083	0.010



400 Kuller Road
Clifton, NJ 07011
Phone: 973.253.0500
Fax: 973.253.9611
Web: www.coining.com
E-mail: sales@coining.com

MC • Drawn Metal Covers

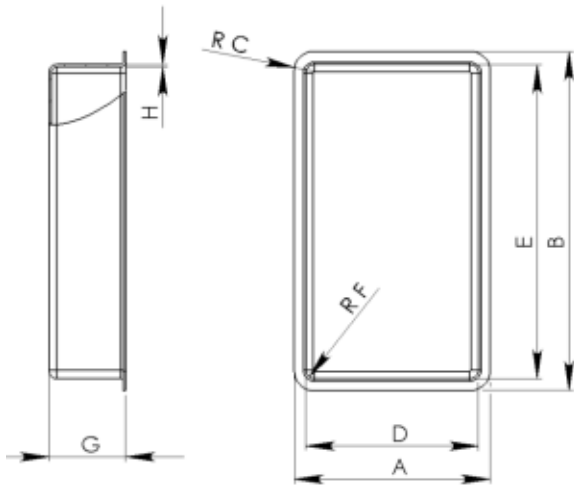
	A	B	C	D	E	F	G	H
CTI Part #	Overall Width	Overall Length	OD Radii	ID Width	ID Length	ID Radii	Overall Height	Wall Thickness
MC-904-12B	0.887	0.712		0.876	0.701	0.025	0.310	0.011
MC-553-01D	0.897	0.897	0.080	0.791	0.791	0.039	0.427	0.014
MC-553-01D	0.900	0.900	0.087	0.804	0.804	0.039		0.008
MC-553-02D	0.900	0.900	0.087	0.804	0.804	0.039	0.375	0.008
MC-128-01A	0.920	0.920	0.075	0.900	0.900	0.046	0.225	0.010
MC-589-01C	0.922	1.922	0.044	0.892	1.892	0.030	0.205	0.014
MC-811-16C	0.923	1.423	0.039	0.904	1.404	0.028	0.157	0.010
MC-021-01A	0.957	1.027	0.020	0.917	0.987	0.025	0.220	0.015
MC-904-01A	0.970	0.970	0.080	0.699	0.874	0.025	0.169	0.010
MC-405-05D	0.990	0.990	0.080	0.900	0.900	0.025	0.500	0.010
MC-745-01A	0.990	1.990	0.080	0.904	1.904	0.025	0.169	0.010
MC-745-01C	0.990	1.990		0.900	1.900		0.060	
MC-745-01C	0.990	1.990	0.080	0.904	1.904	0.025	0.169	0.010 / 0.007
MC-405-02C	0.995	0.995	0.079	0.899	0.899	0.025	0.216	0.010
MC-405-06D	0.995	0.995	0.080	0.903	0.903	0.025	0.500	0.010
MC-405-09D	0.995	0.995	0.080	0.903	0.903	0.025	0.400	0.010
MC-811-05C	0.995	1.500	0.085	0.904	0.140	0.025	0.169	0.010
MC-405-03D	0.996	0.996	0.080	0.900	0.900	0.030	0.385	0.010
MC-405-04C	0.996	0.996	0.084	0.920	0.920	N/A	0.470	0.010
MC-405-07C	0.996	0.996	0.080	0.976	0.976	0.035	0.335	0.010
MC-039-07A	0.996	2.296	0.020	0.966	2.266	0.080	0.170	0.015
MC-582-06C	1.000	1.000	0.097	0.905	0.905	0.030	0.482	0.010
MC-811-01D	1.000	1.500	0.085	0.904	1.404	0.025	0.214	0.010
MC-811-01DX	1.000	1.500	0.080	0.904	1.404	0.025	0.214	0.010
MC-811-01E	1.000	1.500	0.085	0.904	1.404	0.025	0.214	0.010
MC-811-06D	1.000	1.500	0.085	0.904	1.404	0.025	0.214	0.010
MC-811-15D	1.000	1.500	0.085	0.904	1.404	0.025	335.000	0.010
MC-582	1.000	1.000	0.097	0.905	0.905	0.030	.150 to .482	0.010
MC-582-01E	1.000	1.000	0.097	0.905	0.905	0.030	0.150	0.010
MC-582-05A	1.000	1.000	0.097	0.905	0.905	0.030	0.482	0.010



400 Kuller Road
Clifton, NJ 07011
Phone: 973.253.0500
Fax: 973.253.9611
Web: www.coining.com
E-mail: sales@coining.com

MC • Drawn Metal Covers

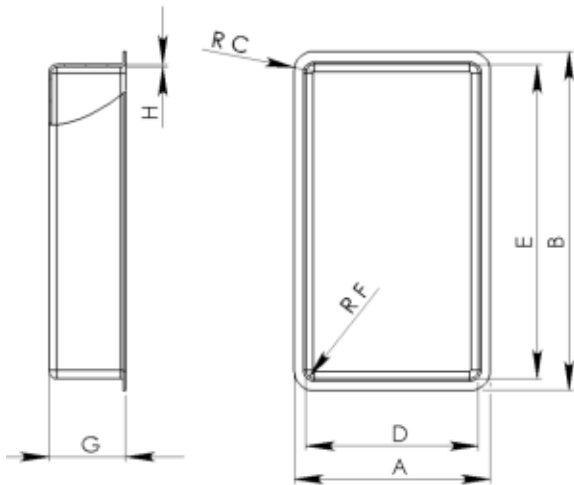
CTI Part #	A	B	C	D	E	F	G	H
	Overall Width	Overall Length	OD Radii	ID Width	ID Length	ID Radii	Overall Height	Wall Thickness
MC-811	1.000	1.500	0.085	0.904	1.404	0.025	.169 to .335	0.010
MC-722-2	1.026	3.325	0.057	0.930	3.229	0.035	0.040	.007 + .033
MC-033-04D	1.061	1.411	0.050	0.975	1.325	0.030	0.693	0.010
MC-139	1.062	2.062		1.038	2.038	0.062	.360 to .440	0.012
MC-139-01B	1.062	2.062	N/A	1.038	2.038	0.062	0.360	0.012
MC-139-02B	1.062	2.062		1.038	2.035	0.062	0.360	0.012
MC-139-03B	1.062	2.062		1.038	2.035	0.062	0.360	0.012
MC-011-01B	1.065	1.065	0.050	0.970	0.970	0.030	0.242	0.010
MC-449	1.100	1.100	0.125	1.004	1.004	0.083	.050 to .190	0.010
MC-006-01G	1.112	2.127	0.015	1.010	2.025	0.030	0.440	0.009
MC-006-02G	1.112	2.127	0.015	1.010	2.025	0.030	0.320	0.009
MC-013-01C	1.112	2.127	0.045	1.010	2.025	0.030	0.350	0.009
MC-712	1.120	1.360	0.080	1.024	1.264	0.030	0.177	0.010
MC-136	1.120	1.450	0.050	1.020	1.350	0.030	.268 to .298	0.012
MC-136-01A	1.120	1.450	0.050	1.020	1.350	0.030	0.290	0.012
MC-136-02A	1.120	1.450	0.050	1.020	1.350	0.030	0.268	0.012
MC-136-02BX	1.120	1.450	0.050	1.020	1.350	0.030	0.268	0.012
MC-136-03B	1.120	1.450	0.050	1.020	1.450	0.030	0.298	0.012
MC-136-05B	1.120	1.450	0.050	1.020	1.350	0.030	0.290	0.012
MC-136-06B	1.120	1.450	0.050	1.020	1.350	0.030	0.290	0.012
MC-188-3	1.120	1.555		1.053	1.488	0.046		0.015
MC-095	1.125	3.820	0.030	1.030	3.725	0.030	0.090	0.010
MC-112-01A	1.126	1.331	0.059	0.947	1.152	0.039	0.049	0.010
MC-471	1.130	1.730	0.015	1.044	1.644	0.098	0.265	0.010
MC-008-01G	1.135	2.150	0.040	1.010	2.025	0.030	0.320	0.010
MC-328-14	1.139	1.239	0.155	1.044	1.144	0.098	0.190	0.010
MC-328-2	1.139	1.239	0.155	1.044	1.144	0.098	0.190	0.010
MC-328-25	1.139	1.239	0.155	1.044	1.144	0.098	0.190	0.010
MC-328-28	1.139	1.239	0.155	1.044	1.144	0.098	0.190	0.010
MC-328-04A	1.139	1.739	0.155	1.044	1.644	0.098	0.370	0.010



400 Kuller Road
Clifton, NJ 07011
Phone: 973.253.0500
Fax: 973.253.9611
Web: www.coining.com
E-mail: sales@coining.com

MC • Drawn Metal Covers

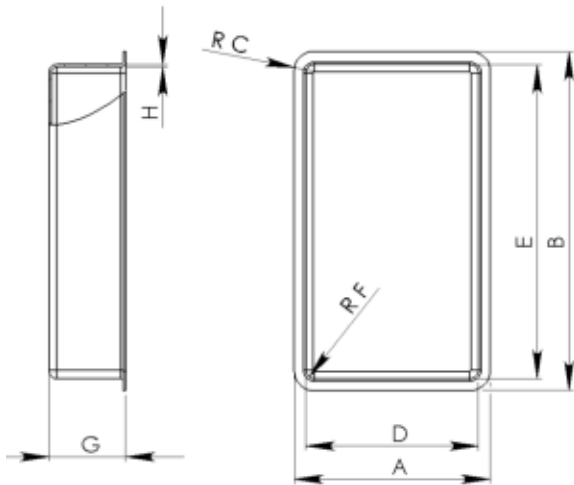
	A	B	C	D	E	F	G	H
CTI Part #	Overall Width	Overall Length	OD Radii	ID Width	ID Length	ID Radii	Overall Height	Wall Thickness
MC-328-12	1.139	1.739	0.155	1.044	1.644	0.098	0.190	0.010
MC-328-16D	1.139	1.739	0.155	1.044	1.644	0.098	0.260	0.010
MC-328-23	1.139	1.739	0.155	1.044	1.644	0.098	0.180	0.010
MC-328-26	1.139	1.739	0.155	1.044	1.644	0.098	0.235	0.010
MC-328-29	1.139	1.739	0.155	1.044	1.644	0.098	0.210	0.010
MC-328-3	1.139	1.739	0.155	1.044	1.644	0.098	0.190	0.010
MC-328-33	1.139	1.739	0.155	1.044	1.644	0.098	0.260	0.010
MC-328-5	1.139	1.739	0.155	1.044	1.644	0.098	0.210	0.010
MC-328-51	1.139	1.739	0.155	1.044	1.644	0.098	0.350	0.010
MC-328-7	1.139	1.739	0.155	1.044	1.644	0.098	0.169	0.010
MC-328-34	1.140	1.240	0.155	1.044	1.144	0.105	0.600	.010
MC-328-01C	1.140	1.740	0.155	1.044	1.644	0.098	0.220	0.010
MC-328-02C	1.140	1.740	0.155	1.044	1.644	0.098	0.210	0.010
MC-328-02C	1.140	1.740	0.156	1.044	1.644	0.098	0.423	0.010
MC-328-09C	1.140	1.740	0.155	1.046	1.645	0.098	0.425	0.012
MC-328-13B	1.140	1.740	0.155	1.044	1.644	0.098	0.190	0.010
MC-328-16	1.140	1.740	0.155	1.044	1.644	0.098	0.169	0.010
MC-328-17	1.140	1.740	0.155	1.044	1.644	0.098	0.169	0.010
MC-328-20C	1.140	1.740	0.156	1.044	1.644	0.098	0.469	0.010
MC-328-36	1.140	1.740	0.155	1.044	1.644	0.098	0.169	0.010
MC-328-50	1.140	1.740	0.155	1.044	1.644	0.098	0.260	0.010
MC-328-52	1.140	1.740	0.155	1.044	1.644	0.098	0.210	0.010
MC-328-53	1.140	1.740	0.155	1.044	1.644	0.098	0.180	0.010
MC-328-54	1.140	1.740	0.155	1.044	1.644	0.098	0.210	0.010
MC-328-55	1.140	1.740	0.155	1.044	1.644	0.098	0.220	0.010
MC-328-55	1.140	1.740	0.155	1.044	1.644	0.098	0.220	0.010
MC-505-1	1.210	1.210	0.050	1.156	1.156	0.030	0.110	0.010
MC-832	1.220	1.299	0.080	1.124	1.203	0.030	.177 to .217	0.010
MC-592-1	1.222	1.222		1.192	1.192	0.030	0.190	0.015
MC-437-1	1.238	1.238		1.218	1.218	0.030	0.160	0.010



400 Kuller Road
 Clifton, NJ 07011
 Phone: 973.253.0500
 Fax: 973.253.9611
 Web: www.coining.com
 E-mail: sales@coining.com

MC • Drawn Metal Covers

	A	B	C	D	E	F	G	H
CTI Part #	Overall Width	Overall Length	OD Radii	ID Width	ID Length	ID Radii	Overall Height	Wall Thickness
MC-023-01A	1.244	1.244	0.118	1.141	1.141	0.063	0.629	
MC-039-2	1.246	1.246	0.055	1.076	1.076	0.046	0.170	0.015
MC-039-11	1.247	1.247	0.025	1.077	1.077	0.046	0.044	0.015
MC-491-1	1.261	1.661		1.231	1.631	0.032	0.190	0.015
MC-188-15	1.268	1.268		1.211	1.211	0.046		0.010
MC-188-17	1.268	1.268		1.211	1.211	0.046		0.010
MC-188-2	1.268	1.268		1.211	1.211	0.046		0.010
MC-188-4	1.268	1.268		1.211	1.211	0.046		0.010
MC-188-9	1.268	1.268		1.211	1.211	0.046		0.010
MC-507-04C	1.270	1.270	0.050	1.189	1.189	0.047	0.200	0.010
MC-507	1.270	1.270	0.050	1.189	1.189	0.047	0.205 to .210	0.010
MC-507-02C	1.270	1.270	0.050	1.189	1.189	0.047	0.210	0.010
MC-507-04B	1.270	1.270	0.050	1.189	1.189	0.047	0.200	0.010
MC-715	1.295	1.295	0.079	1.199	1.199	0.028	0.240	0.010
MC-022-01B	1.300	1.895		1.260	1.855	0.030	0.455	0.020
MC-022-02B	1.300	1.895		1.260	1.855	0.030	0.455	0.020
MC-022-03B	1.300	1.895		1.260	1.855	0.030	0.455	0.020
MC-022-04B	1.300	1.895		1.260	1.855	0.030	0.455	0.020
MC-188-6	1.317	1.817		1.205	1.705	0.046		0.010
MC-188-7	1.317	1.817		1.205	1.705	0.046		0.010
MC-188-11	1.330	1.830		1.276	1.777	0.046		0.015
MC-807	1.340	1.940	0.155	1.244	1.844	0.097	.190 to .195	0.015
MC-807-01B	1.340	1.940	0.155	1.244	1.844	0.097	0.195	0.015
MC-807-01C	1.340	1.940	0.155	1.244	1.844	0.097	0.195	0.048
MC-380	1.345	1.745	0.046	1.236	1.636	0.030	.190 to .220	0.015
MC-762-10A	1.355	2.255	0.090	1.325	1.024	0.060	0.511	0.015
MC-188-10	1.362	1.863		1.276	1.777	0.046		0.015
MC-188-14	1.362	1.863		1.276	1.777	0.046		0.015
MC-039-02A	1.398	2.598	0.055	1.368	2.568	0.080	0.117	0.015
MC-039-9	1.398	2.598	0.055	1.228	2.428	0.046	0.117	0.015



400 Kuller Road
 Clifton, NJ 07011
 Phone: 973.253.0500
 Fax: 973.253.9611
 Web: www.coining.com
 E-mail: sales@coining.com

MC • Drawn Metal Covers

	A	B	C	D	E	F	G	H
CTI Part #	Overall Width	Overall Length	OD Radii	ID Width	ID Length	ID Radii	Overall Height	Wall Thickness
MC-762	1.400	2.300	0.090	1.325	2.225	0.060	.185 to .511	0.015
MC-762-05C	1.400	2.300	0.090	1.325	2.225	0.060	0.472	0.015
MC-024-01B	1.431	2.055	0.095	0.000	0.000	N/A	0.125	0.025
MC-089-01G	1.450	2.120	0.050	1.380	2.040	0.030	0.140	0.020
MC-304	1.500	2.125	0.050	1.480	2.105		0.150	0.010
MC-005-01C	1.500	2.600	0.080	1.406	2.510	0.027	0.466	0.010
MC-785-2	1.510	2.050		1.317	2.030	0.030	0.140	0.010
MC-785-1	1.530	2.050		1.317	2.030	0.030	0.140	0.010
MC-088-01G	1.660	2.180	0.050	1.380	2.100	0.030	0.260	0.020
MC-025-01B	1.719	3.016	0.125	0.000	0.000	N/A	0.505	0.031
MC-025-02B	1.719	3.016	0.125	0.000	0.000	N/A	0.505	0.031
MC-018-01A	1.799	1.799	N/A	0.000	0.000	N/A	0.236	0.012
MC-200-01A	1.990	Round		1.854	Round		1.157	0.008
MC-007-01G	2.035	2.595	0.015	1.910	2.470	0.030	0.440	0.012
MC-014-01A	2.035	2.995	N/A	1.945	2.905	N/A	0.315	0.012
MC-819	2.365	2.365	0.060	2.245	2.245	0.025	0.250	0.010
MC-469-1	2.415	3.495	0.125	2.115	3.195	0.046	0.282	0.020
MC-015-01G	2.480	3.375	N/A	2.390	3.280	N/A	0.315	0.012
MC-232-05A	2.519	round	0.086	2.370	round		0.635	0.026
MC-232-06A	2.519	round		2.236	Round			0.022
MC-263-01A	2.640	round		2.500	Round		1.590	0.026
MC-467-00R	4.738	4.777	N/A	3.100	3.632	0.040	0.221	N/A
MC-467-10R	4.738	4.777	N/A	3.100	3.632	0.040	0.221	N/A
MC-655-00R	4.777	6.552	0.040	3.090	5.445	0.040	0.221	
MC-655-10R	4.777	6.552	0.040	3.090	5.445	0.040	0.221	
MC-022	none	none		1.265	1.860	0.030	.355 to .455	0.020